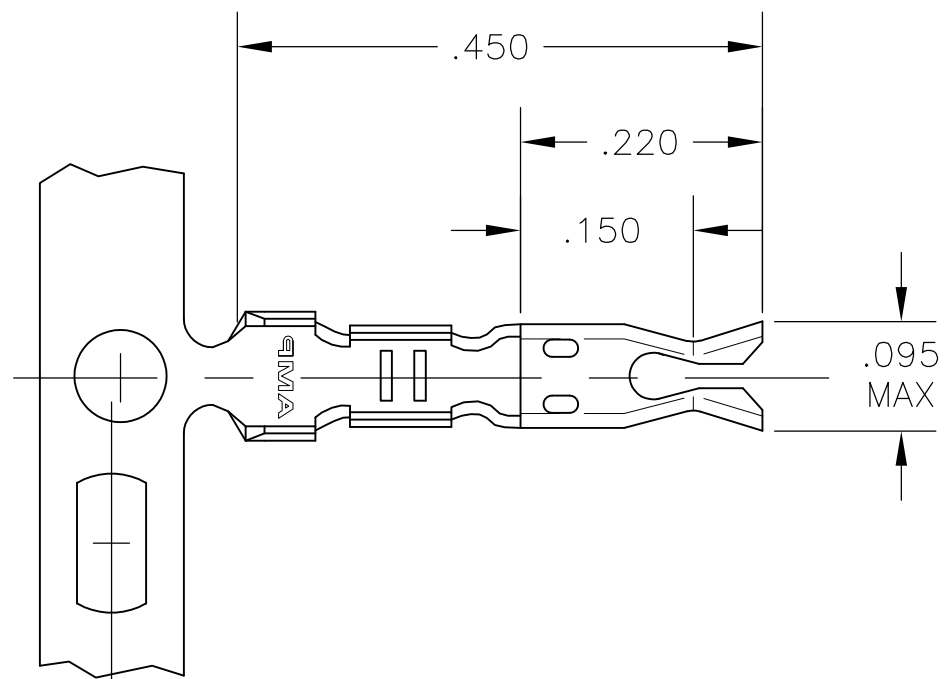


THIS DRAWING IS UNPUBLISHED. RELEASED FOR PUBLICATION
 © COPYRIGHT BY TYCO ELECTRONICS CORPORATION. ALL RIGHTS RESERVED.

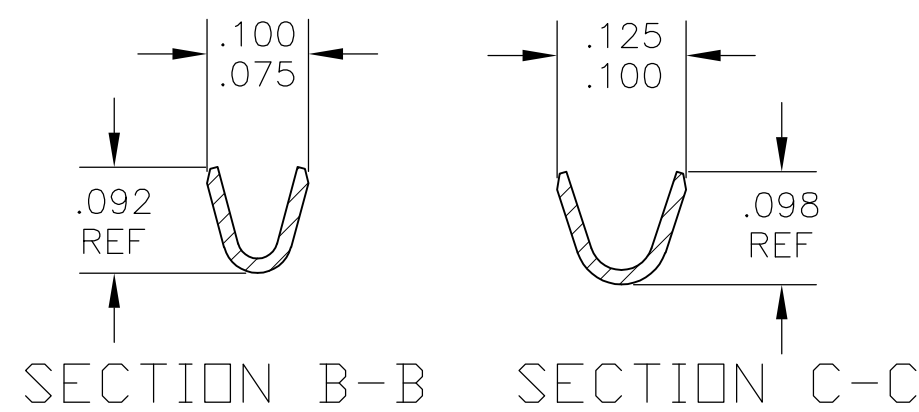
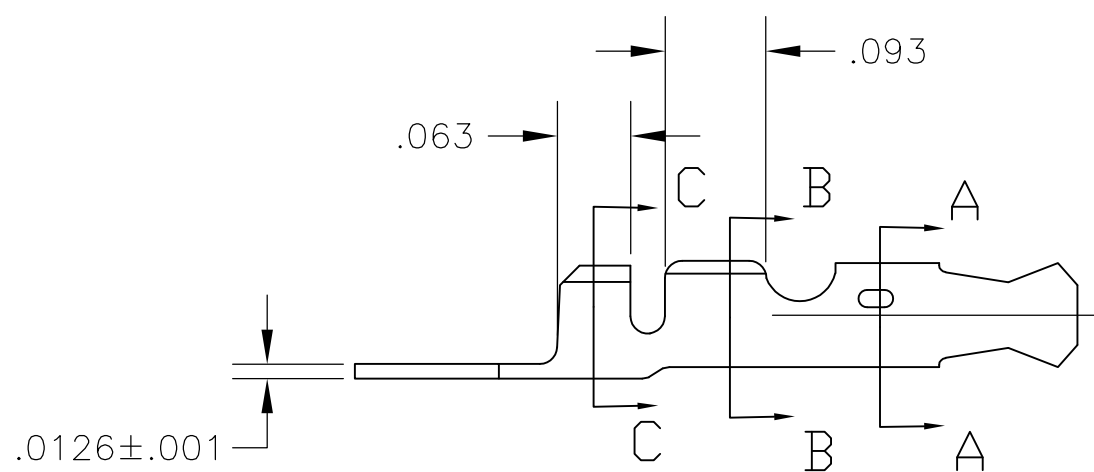
LOC	DIST	REVISIONS			
P	LTR	DESCRIPTION	DATE	DWN	APVD
AF	50	AZ	REDRAWN PER ECR 07-030563	18DEC07	JR DD



OPTIONAL DESIGNS
TO STABILIZE PIN

DIMPLES "F" CRIMP

SECTION A-A



1 CONTINUOUS STRIP ON REELS

REVERSE REEL	T4 PHOS BRONZE - SILVER PL	42428-8
REVERSE REEL	NONE	42428-6
REVERSE REEL	T4 PHOS BRONZE - TIN PL	42428-5
--	T4 PHOS BRONZE - TIN PL	42428-2
REMARKS	MATERIAL & FINISH	PART NO

THIS DRAWING IS A CONTROLLED DOCUMENT.		DWN jr_ruth 18DEC07	Tyco Electronics Corporation Harrisburg, PA 17105-3608	
DIMENSIONS: INCHES	TOLERANCES UNLESS OTHERWISE SPECIFIED:	CHK DON DECKER 18DEC07	NAME RECEPTACLE, PIN, .040 DIA	
	0 PLC ± - 1 PLC ± - 2 PLC ± - 3 PLC ± .015 4 PLC ± - ANGLES ± 5°	APVD DON DECKER 18DEC07	PRODUCT SPEC	
MATERIAL SEE TABLE	FINISH SEE TABLE	APPLICATION SPEC	SIZE A3	CAGE CODE 00779
		WEIGHT -	DRAWING NO G-42428	RESTRICTED TO -
CUSTOMER DRAWING			SCALE 6:1	SHEET 1 OF 1
			REV AZ	